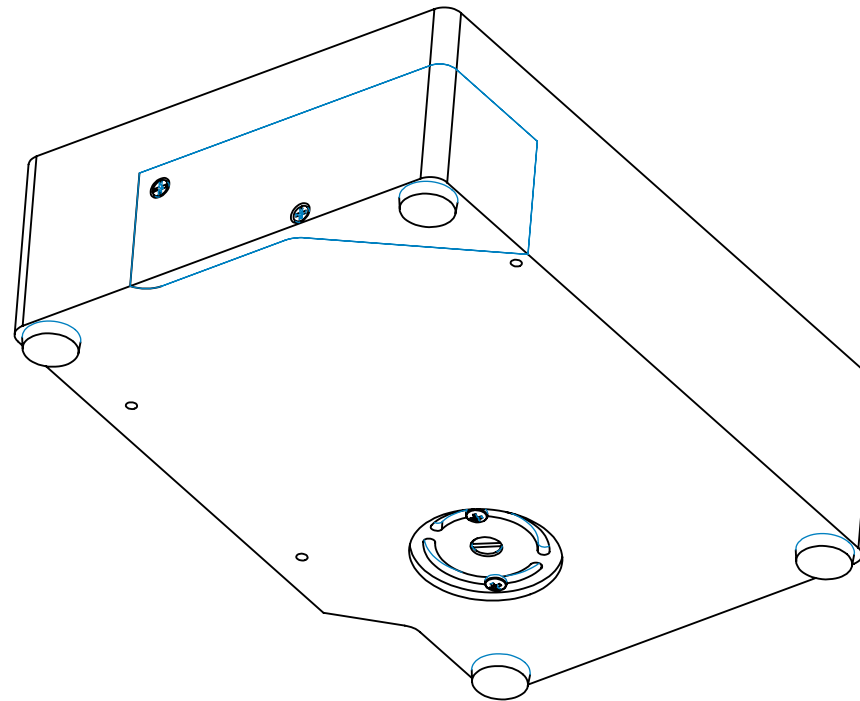
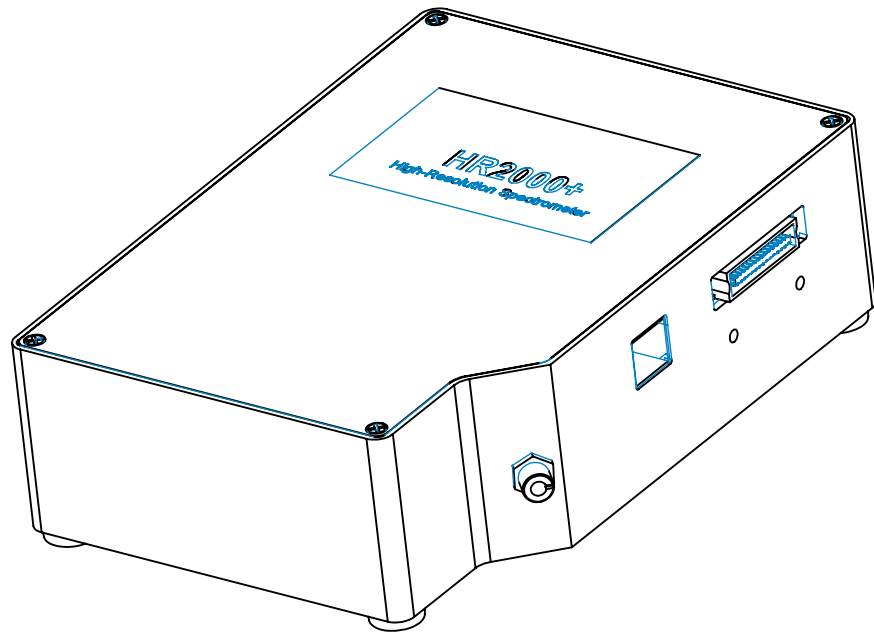


8 7 6 5 4 3 2 1

THIS DOCUMENT AND ALL CAD PART AND ASSEMBLY MODELS ASSOCIATED WITH THIS ENGINEERING DRAWING ARE THE EXCLUSIVE INTELLECTUAL PROPERTY OF THE OCEAN OPTICS CORPORATION.


ANY REPRODUCTION IN PART OR AS A WHOLE WITHOUT THE WRITTEN PERMISSION OF OCEAN OPTICS, INC. IS STRICTLY PROHIBITED.

REVISIONS				
REV.	DESCRIPTION	ECN	DATE	BY
B	INITIAL RELEASE	ECN090825-JA1	8/25/2009	DAC



D  
C  
B  
A

D  
C  
B  
A

 830 Douglas Ave. Dunedin, FL 34698 727 733 2447 www.oceanoptics.com <b>PROPRIETARY AND CONFIDENTIAL</b> THE INFORMATION CONTAINED IN THIS DRAWING IS THE SOLE PROPERTY OF OCEAN OPTICS, INC. ANY REPRODUCTION IN PART OR AS A WHOLE WITHOUT THE WRITTEN PERMISSION OF OCEAN OPTICS, INC. IS STRICTLY PROHIBITED. <b>DO NOT SCALE DRAWING</b>	- DIMENSIONS IN INCHES - UNLESS OTHERWISE NOTED .X ±.030 .XX ±.015 .XXX ±.005 .XXXX ±.0005 Angular ±0.5°	DATE NAME	TITLE: <b>HR-2000-PLUS CUSTOMER ENGINEERING REFERENCE MODEL</b>  PART NO. <b>HR-2000-PLUS</b>  SIZE <b>B</b> DWG. NO. <b>HR-2000-PLUS</b> REV <b>B</b>	
	THIRD ANGLE PROJECTION	MODELED 2009-08-21 DAC DRAWN 2009-08-21 DAC ENG APPR. 2009-08-21 DAC MFG APPR. N/A N/A Q.A. N/A N/A		COMMENTS:  LIFECYCLE STATUS: <b>RELEASED</b>
	INTERPRET GEOMETRIC TOLERANCING PER: ANSI Y14.5	SCALE: <b>N/A</b> WT. (lbs) 1.503 SHEET 1 OF 2		
	MATERIAL <b>N/A</b> FINISH <b>N/A</b>			

8 7 6 5 4 3 2 1

THIS DOCUMENT AND ALL CAD PART AND ASSEMBLY MODELS ASSOCIATED WITH THIS ENGINEERING DRAWING ARE THE EXCLUSIVE INTELLECTUAL PROPERTY OF THE OCEAN OPTICS CORPORATION.

ANY REPRODUCTION IN PART OR AS A WHOLE WITHOUT THE WRITTEN PERMISSION OF OCEAN OPTICS, INC. IS STRICTLY PROHIBITED.

D

D

C

C

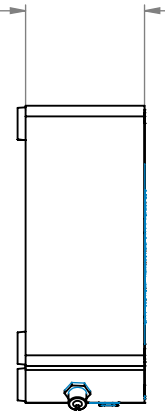
B

B

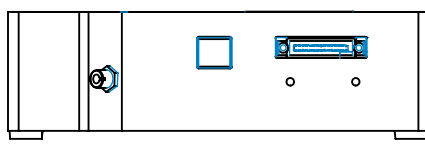
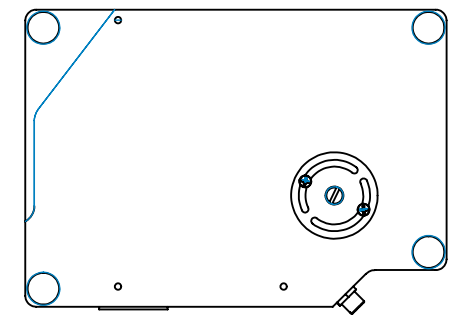
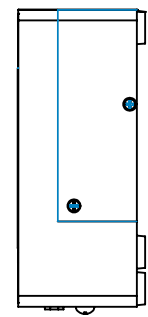
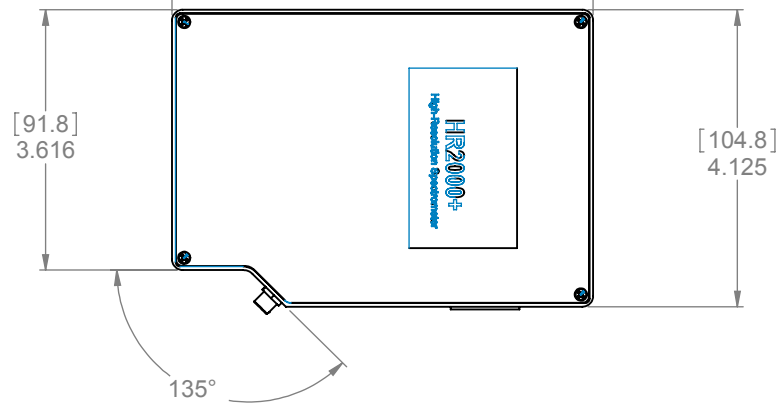
A

A

[41.9]  
1.650



[148.6]  
5.850



**OCEAN OPTICS, INC.**  
830 DOUGLAS AVENUE  
DUNEDIN, FL 34698 (727) 733-2447 WWW.OCEANOPTICS.COM

SIZE <b>B</b>	LIFE CYCLE STATUS <b>RELEASED</b>	DWG NO. HR-2000-PLUS	REV <b>B</b>
SCALE N/A	SHEET 2 OF 2		