

8

7

6

5

4

3

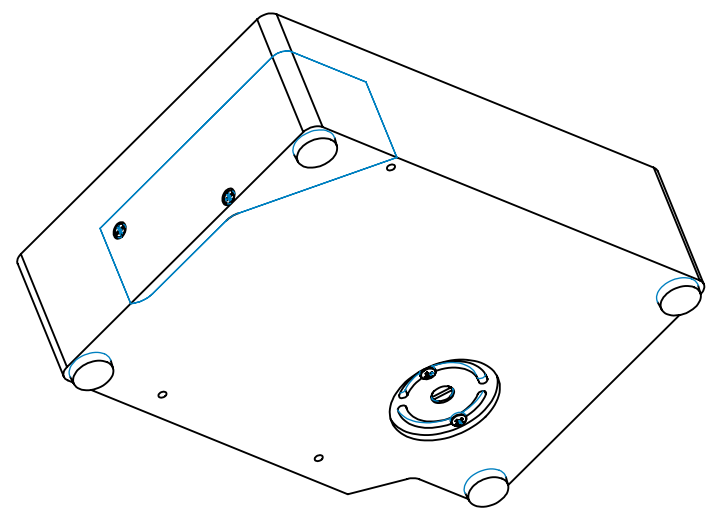
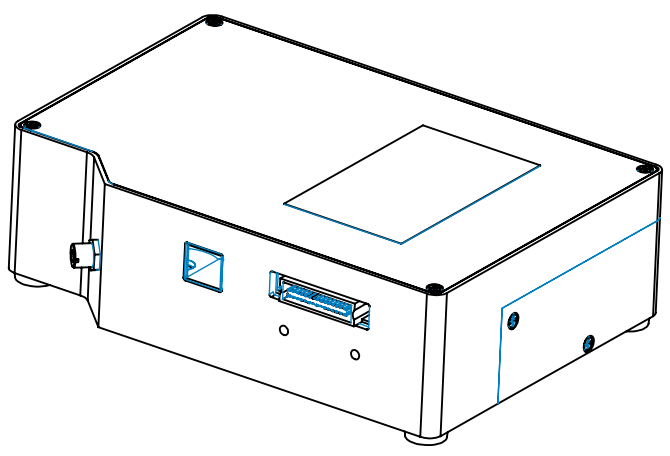
2



1

THIS DOCUMENT AND ALL CAD PART AND ASSEMBLY MODELS ASSOCIATED WITH THIS ENGINEERING DRAWING ARE THE EXCLUSIVE INTELLECTUAL PROPERTY OF THE OCEAN OPTICS CORPORATION.

ANY REPRODUCTION IN PART OR AS A WHOLE WITHOUT THE WRITTEN PERMISSION OF OCEAN OPTICS, INC. IS STRICTLY PROHIBITED.

REVISIONS				
REV.	DESCRIPTION	ECN	DATE	BY
C	INITIAL RELEASE	ECN090825-JA2	9/18/2009	DAC



 830 Douglas Ave. Dunedin, FL 34698 727 733 2447 www.oceanoptics.com	- DIMENSIONS IN INCHES - UNLESS OTHERWISE NOTED		DATE	NAME	TITLE: HR-4000 PART NO. HR-4000	
	.X	±.030	MODELED	2009-08-21		DAC
	.XX	±.015	DRAWN	2009-08-21		JEA
	.XXX	±.005	ENG APPR.	2009-08-21		DAC
.XXXX	±.0005					
	Angular ±0.5°					
	THIRD ANGLE PROJECTION		MFG APPR.	N / A	N / A	
	INTERPRET GEOMETRIC TOLERANCING PER: ANSI Y14.5		Q.A.	N / A	N / A	
	MATERIAL	N / A	COMMENTS:			
	FINISH	N / A	LIFECYCLE STATUS: RELEASED			
PROPRIETARY AND CONFIDENTIAL THE INFORMATION CONTAINED IN THIS DRAWING IS THE SOLE PROPERTY OF OCEAN OPTICS, INC. ANY REPRODUCTION IN PART OR AS A WHOLE WITHOUT THE WRITTEN PERMISSION OF OCEAN OPTICS, INC. IS STRICTLY PROHIBITED. DO NOT SCALE DRAWING		SIZE B DWG. NO. HR-4000		REV C		
		SCALE: N/A		WT. (lbs) 1.506		
				SHEET 1 OF 2		

8

7

6

5

4

3

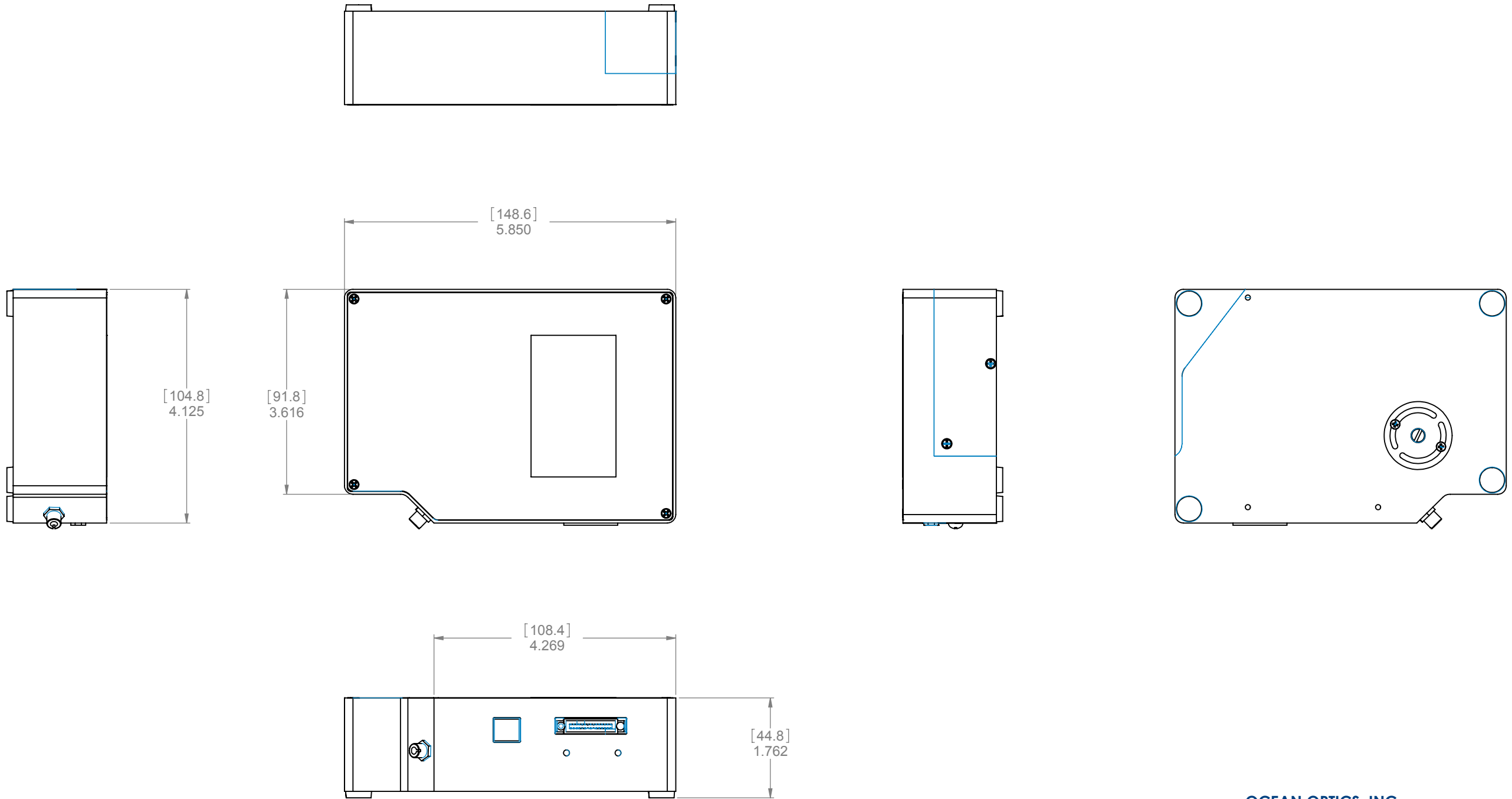
2

1



THIS DOCUMENT AND ALL CAD PART AND ASSEMBLY MODELS ASSOCIATED WITH THIS ENGINEERING DRAWING ARE THE EXCLUSIVE INTELLECTUAL PROPERTY OF THE OCEAN OPTICS CORPORATION.

ANY REPRODUCTION IN PART OR AS A WHOLE WITHOUT THE WRITTEN PERMISSION OF OCEAN OPTICS, INC. IS STRICTLY PROHIBITED.



OCEAN OPTICS, INC.
 830 DOUGLAS AVENUE
 DUNEDIN, FL 34698 (727) 733-2447 WWW.OCEANOPTICS.COM

SIZE B	LIFE CYCLE STATUS RELEASED	DWG NO. HR-4000	REV C
SCALE N/A	SHEET 2 OF 2		