

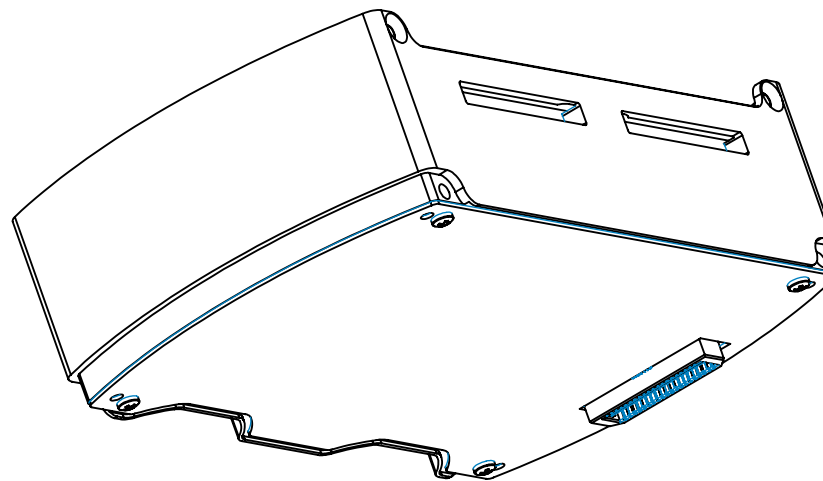
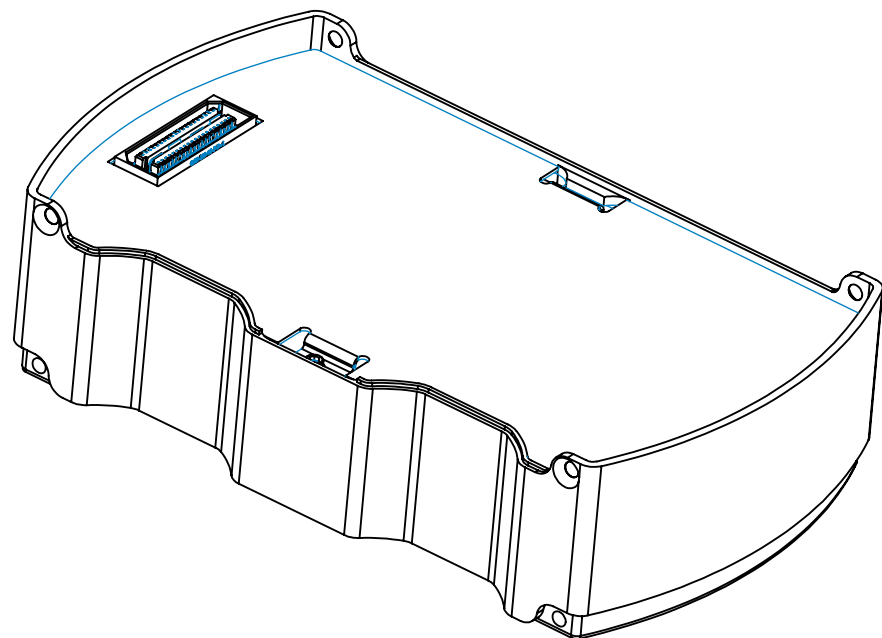
THIS DOCUMENT AND ALL CAD PART AND ASSEMBLY MODELS ASSOCIATED WITH THIS ENGINEERING DRAWING

ANY REPRODUCTION IN PART OR AS A WHOLE WITHOUT THE WRITTEN PERMISSION OF OCEAN OPTICS, INC. IS STRICTLY PROHIBITED.

REVISIONS				
REV.	DESCRIPTION	ECN	DATE	BY
A	INITIAL RELEASE	ECN090901-JA4	9/1/2009	DAC



ENGINEERING NOTES:

1. REFERENCE OCEAN OPTICS ENGINEERING DRAWING 013-70001-500 FOR GUIDELINES FOR CUSTOMER ASSEMBLY OF NEW ADDITIONAL JAZ SYSTEM MODULES IN A JAZ ASSEMBLY STACK.
2. ELECTROSTATIC DISCHARGE (ESD) PROTECTION MUST ALWAYS BE USED WHEN HANDLING JAZ SYSTEM MODULES.



D
C
B
A

D
C
B
A

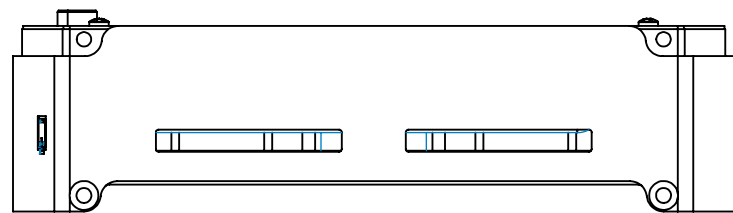
 830 Douglas Ave. Dunedin, FL 34698 727 733 2447 www.oceanoptics.com	- DIMENSIONS IN INCHES - UNLESS OTHERWISE NOTED .X ±.030 .XX ±.015 .XXX ±.005 .XXXX ±.0005 Angular ±0.5°		DATE	NAME	TITLE: JAZ-3--BATTERY CUSTOMER ENGINEERING REFERENCE MODEL PART NO. JAZ-3--BATTERY	
	THIRD ANGLE PROJECTION		MODELED	2009-09-01		JEA
	INTERPRET GEOMETRIC TOLERANCING PER: ANSI Y14.5		DRAWN	2009-09-01		JEA
	MATERIAL	N / A	ENG APPR.	2009-09-01		DAC
FINISH	N / A		MFG APPR.	N / A	N / A	
PROPRIETARY AND CONFIDENTIAL THE INFORMATION CONTAINED IN THIS DRAWING IS THE SOLE PROPERTY OF OCEAN OPTICS, INC. ANY REPRODUCTION IN PART OR AS A WHOLE WITHOUT THE WRITTEN PERMISSION OF OCEAN OPTICS, INC. IS STRICTLY PROHIBITED. DO NOT SCALE DRAWING		COMMENTS: LIFECYCLE STATUS: RELEASED		Q.A.	N / A	N / A
		SIZE	DWG. NO.		REV	
		B	JAZ-3--BATTERY		A	
		SCALE: N/A	WT. (lbs) 0.348	SHEET 1 OF 2		

8 7 6 5 4 3 2 1

THIS DOCUMENT AND ALL CAD PART AND ASSEMBLY MODELS ASSOCIATED WITH THIS ENGINEERING DRAWING

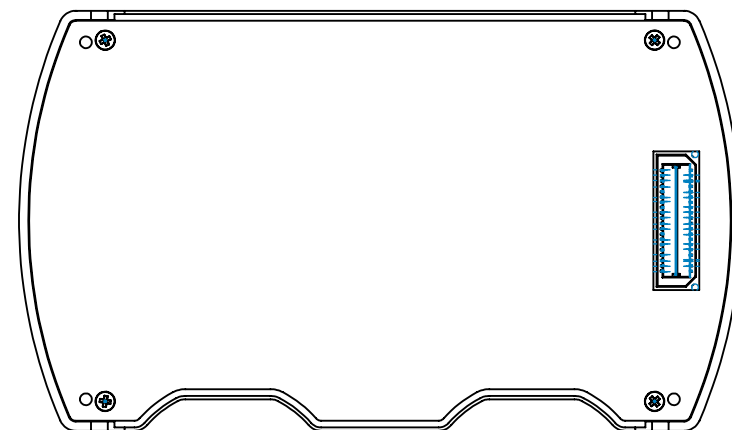
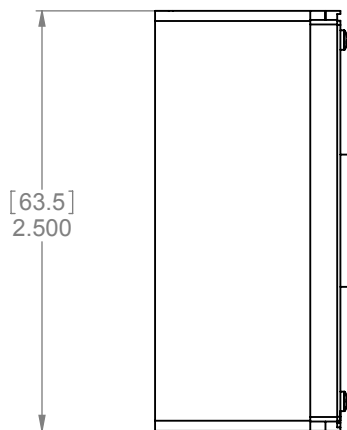
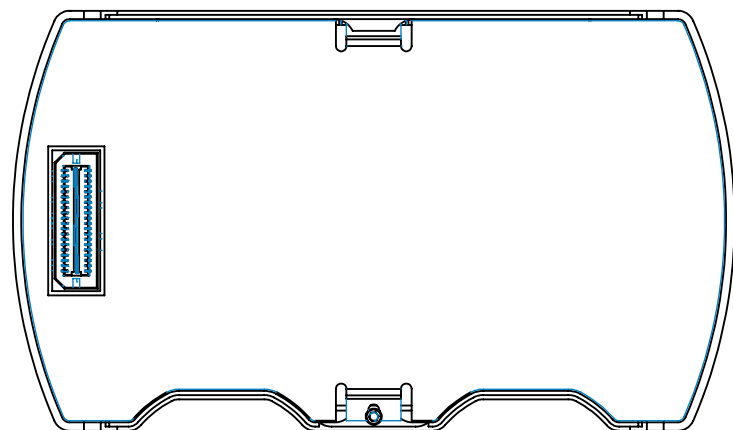
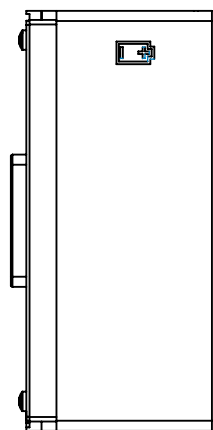
ANY REPRODUCTION IN PART OR AS A WHOLE WITHOUT THE WRITTEN PERMISSION OF OCEAN OPTICS, INC. IS STRICTLY PROHIBITED.

D



D

C

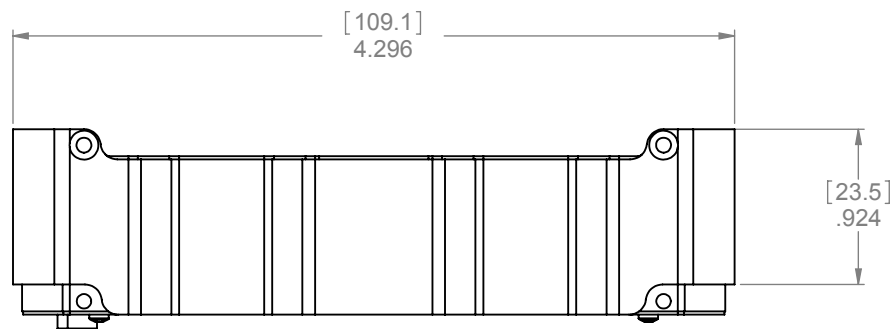


B

B

A

A



OCEAN OPTICS, INC.
830 DOUGLAS AVENUE
DUNEDIN, FL 34698 (727) 733-2447 WWW.OCEANOPTICS.COM

SIZE B	LIFE CYCLE STATUS RELEASED	DWG NO. JAZ-3--BATTERY	REV A
SCALE N/A	SHEET 2 OF 2		

8 7 6 5 4 3 2 1