

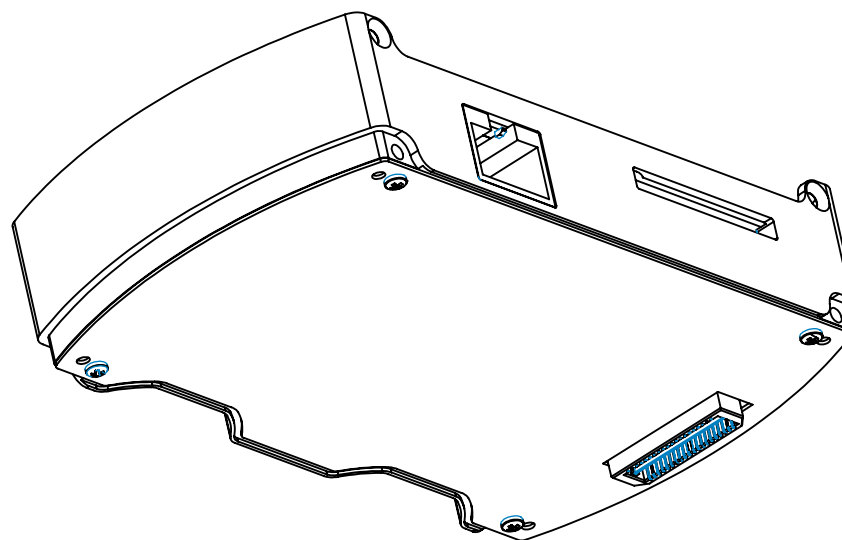
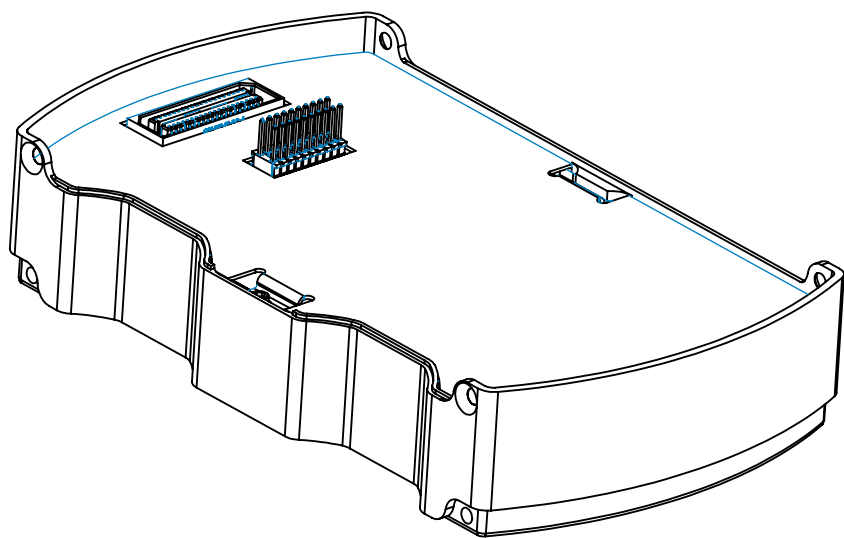
THIS DOCUMENT AND ALL CAD PART AND ASSEMBLY MODELS ASSOCIATED WITH THIS ENGINEERING DRAWING

ANY REPRODUCTION IN PART OR AS A WHOLE WITHOUT THE WRITTEN PERMISSION OF OCEAN OPTICS, INC. IS STRICTLY PROHIBITED.

REVISIONS				
REV.	DESCRIPTION	ECN	DATE	BY
A	INITIAL RELEASE	ECN090901-JA3	9/1/2009	DAC



ENGINEERING NOTES:

1. REFERENCE OCEAN OPTICS ENGINEERING DRAWING 013-70001-500 FOR GUIDELINES FOR CUSTOMER ASSEMBLY OF NEW ADDITIONAL JAZ SYSTEM MODULES IN A JAZ ASSEMBLY STACK.
2. ELECTROSTATIC DISCHARGE (ESD) PROTECTION MUST ALWAYS BE USED WHEN HANDLING JAZ SYSTEM MODULES.



D  
C  
B  
A

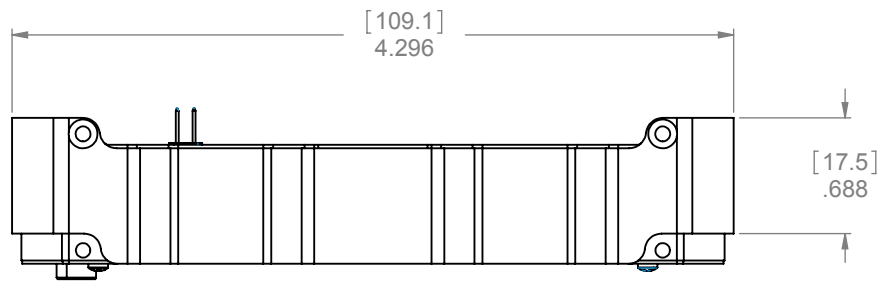
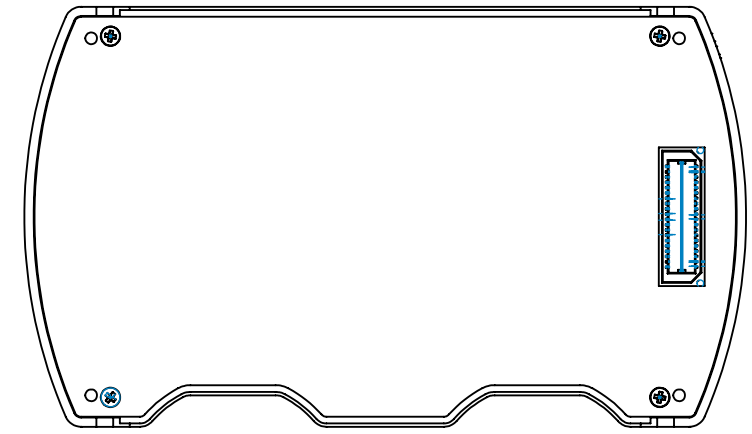
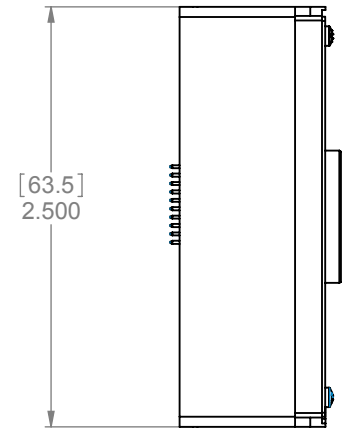
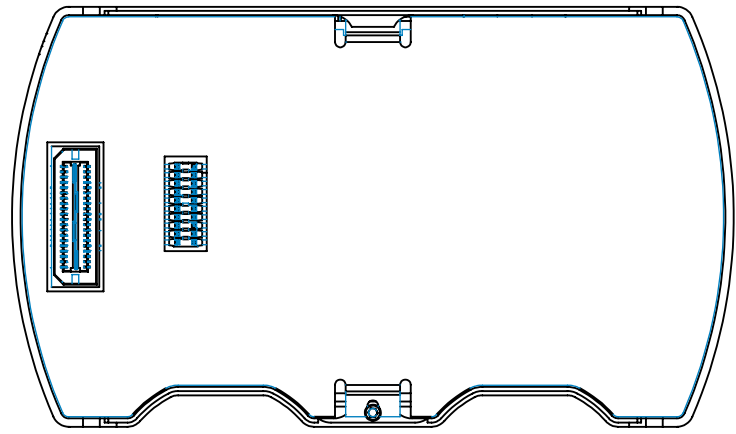
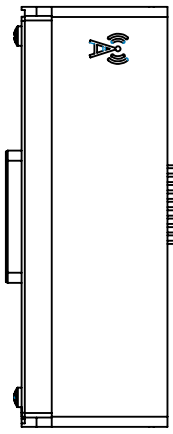
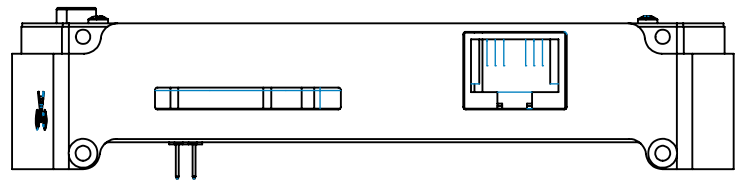
D  
C  
B  
A

 830 Douglas Ave. Dunedin, FL 34698 727 733 2447 www.oceanoptics.com	- DIMENSIONS IN INCHES - UNLESS OTHERWISE NOTED .X ±.030 .XX ±.015 .XXX ±.005 .XXXX ±.0005 Angular ±0.5°		DATE	NAME	TITLE: <b>JAZ-2--ETHERNET</b> CUSTOMER ENGINEERING REFERENCE MODEL  PART NO. <b>JAZ-2--ETHERNET</b>  SIZE <b>B</b> DWG. NO. <b>JAZ-2-ETHERNET</b> REV <b>A</b>	
	THIRD ANGLE PROJECTION		MODELED	2009-09-01		JEA
	INTERPRET GEOMETRIC TOLERANCING PER: ANSI Y14.5		DRAWN	2009-09-01		JEA
	MATERIAL	N / A	ENG APPR.	2009-09-01		DAC
FINISH	N / A		MFG APPR.	N / A	N / A	
PROPRIETARY AND CONFIDENTIAL THE INFORMATION CONTAINED IN THIS DRAWING IS THE SOLE PROPERTY OF OCEAN OPTICS, INC. ANY REPRODUCTION IN PART OR AS A WHOLE WITHOUT THE WRITTEN PERMISSION OF OCEAN OPTICS, INC. IS STRICTLY PROHIBITED. DO NOT SCALE DRAWING			Q.A.	N / A	N / A	
			COMMENTS: LIFECYCLE STATUS: <b>RELEASED</b>		SCALE: <b>N/A</b> WT. (lbs) 0.184 SHEET 1 OF 2	

8 7 6 5 4 3 2 1

THIS DOCUMENT AND ALL CAD PART AND ASSEMBLY MODELS ASSOCIATED WITH THIS ENGINEERING DRAWING

ANY REPRODUCTION IN PART OR AS A WHOLE WITHOUT THE WRITTEN PERMISSION OF OCEAN OPTICS, INC. IS STRICTLY PROHIBITED.



**OCEAN OPTICS, INC.**  
 830 DOUGLAS AVENUE  
 DUNEDIN, FL 34698 (727) 733-2447 WWW.OCEANOPTICS.COM

SIZE <b>B</b>	LIFE CYCLE STATUS <b>RELEASED</b>	DWG NO. JAZ-2--ETHERNET	REV <b>A</b>
SCALE N/A	SHEET 2 OF 2		

8 7 6 5 4 3 2 1