

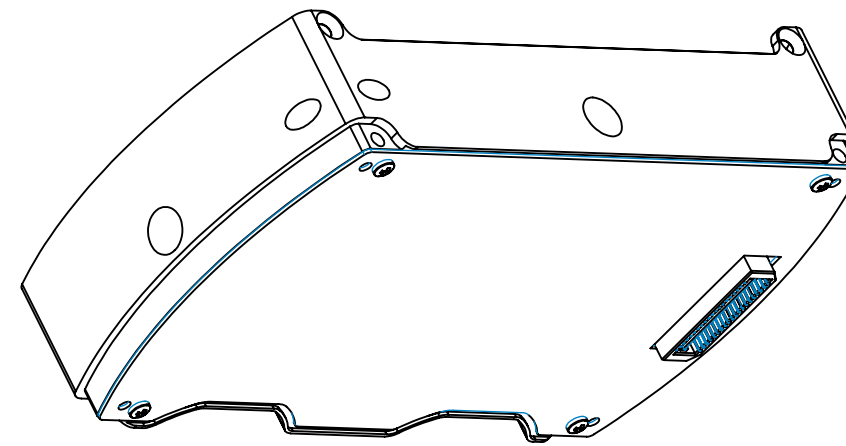
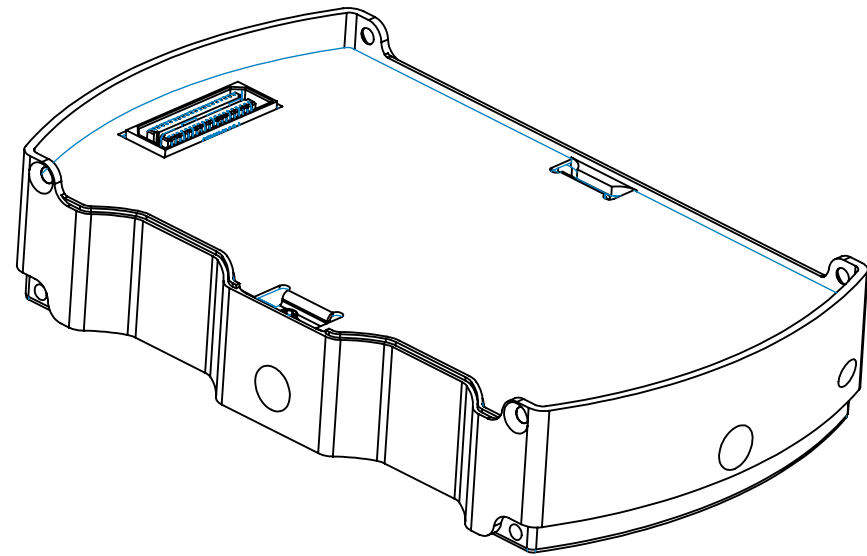
THIS DOCUMENT AND ALL CAD PART AND ASSEMBLY MODELS ASSOCIATED WITH THIS ENGINEERING DRAWING ARE THE EXCLUSIVE INTELLECTUAL PROPERTY OF THE OCEAN OPTICS CORPORATION.

ANY REPRODUCTION IN PART OR AS A WHOLE WITHOUT THE WRITTEN PERMISSION OF OCEAN OPTICS, INC. IS STRICTLY PROHIBITED.

REVISIONS				
REV.	DESCRIPTION	ECN	DATE	BY
-	INITIAL RELEASE	ECN090901-JA9	9/1/2009	DAC



ENGINEERING NOTES:

1. REFERENCE OCEAN OPTICS ENGINEERING DRAWING 013-70001-500 FOR GUIDELINES FOR CUSTOMER ASSEMBLY OF NEW ADDITIONAL JAZ SYSTEM MODULES IN A JAZ ASSEMBLY STACK.
2. ELECTROSTATIC DISCHARGE (ESD) PROTECTION MUST ALWAYS BE USED WHEN HANDLING JAZ SYSTEM MODULES.



D  
C  
B  
A

D  
C  
B  
A

 830 Douglas Ave. Dunedin, FL 34698 727 733 2447 www.oceanoptics.com	- DIMENSIONS IN INCHES - UNLESS OTHERWISE NOTED .X ±.030 .XX ±.015 .XXX ±.005 .XXXX ±.0005 Angular ±0.5°		DATE	NAME	TITLE: <b>JAZ-6--TRIPOD-MOUNT</b> CUSTOMER ENGINEERING REFERENCE MODEL  PART NO. <b>JAZ-6--TRIPOD-MOUNT</b>	
	THIRD ANGLE PROJECTION		MODELED	2009-09-01		JEA
	INTERPRET GEOMETRIC TOLERANCING PER: ANSI Y14.5		DRAWN	2009-09-01		JEA
	MATERIAL	N / A	ENG APPR.	2009-09-01		DAC
FINISH	N / A		MFG APPR.	N / A	N / A	
PROPRIETARY AND CONFIDENTIAL THE INFORMATION CONTAINED IN THIS DRAWING IS THE SOLE PROPERTY OF OCEAN OPTICS, INC. ANY REPRODUCTION IN PART OR AS A WHOLE WITHOUT THE WRITTEN PERMISSION OF OCEAN OPTICS, INC. IS STRICTLY PROHIBITED. DO NOT SCALE DRAWING		COMMENTS:  LIFECYCLE STATUS: <b>RELEASED</b>		Q.A. N / A N / A	REV -	
OCEAN OPTICS ENGINEERING DRAWING TEMPLATE: 000-00000-000--MECHANICAL--USC REV-A			SCALE: N/A	WT. (lbs) 0.288	SHEET 1 OF 2	

THIS DOCUMENT AND ALL CAD PART AND ASSEMBLY MODELS ASSOCIATED WITH THIS ENGINEERING DRAWING ARE THE EXCLUSIVE INTELLECTUAL PROPERTY OF THE OCEAN OPTICS CORPORATION.

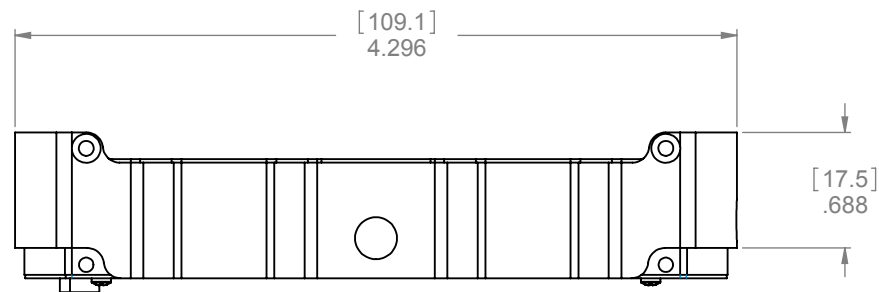
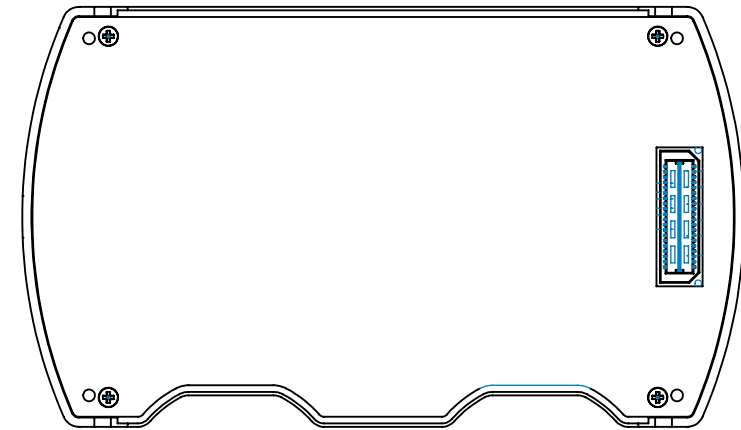
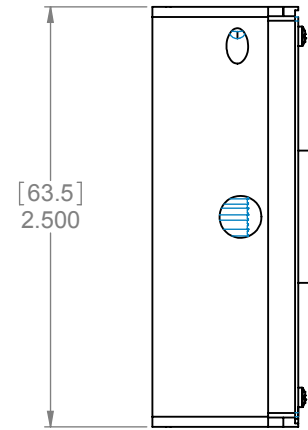
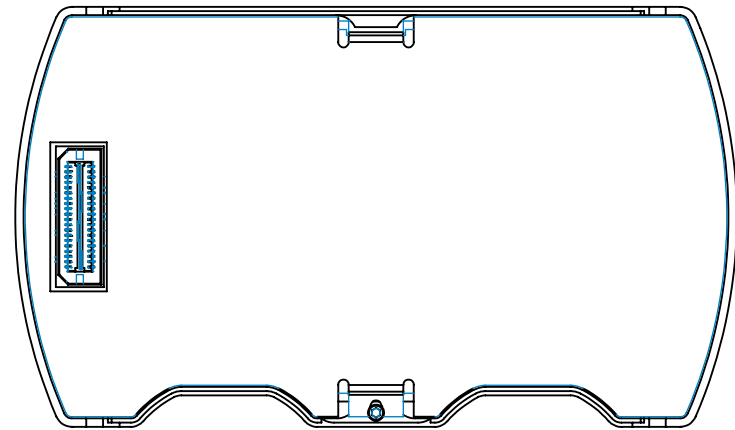
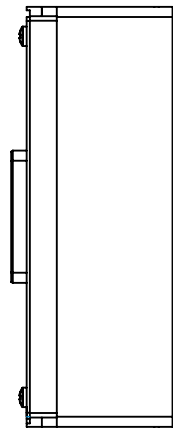
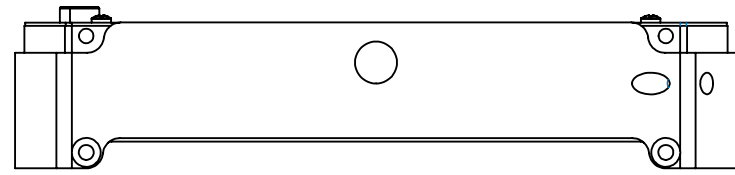
ANY REPRODUCTION IN PART OR AS A WHOLE WITHOUT THE WRITTEN PERMISSION OF OCEAN OPTICS, INC. IS STRICTLY PROHIBITED.

D

C

B

A



**OCEAN OPTICS, INC.**  
 830 DOUGLAS AVENUE  
 DUNEDIN, FL 34698 (727) 733-2447 WWW.OCEANOPTICS.COM

SIZE <b>B</b>	LIFE CYCLE STATUS <b>RELEASED</b>	DWG NO. JAZ-6--TRIPOD-MOUNT	REV -
SCALE N/A	SHEET 2 OF 2		