

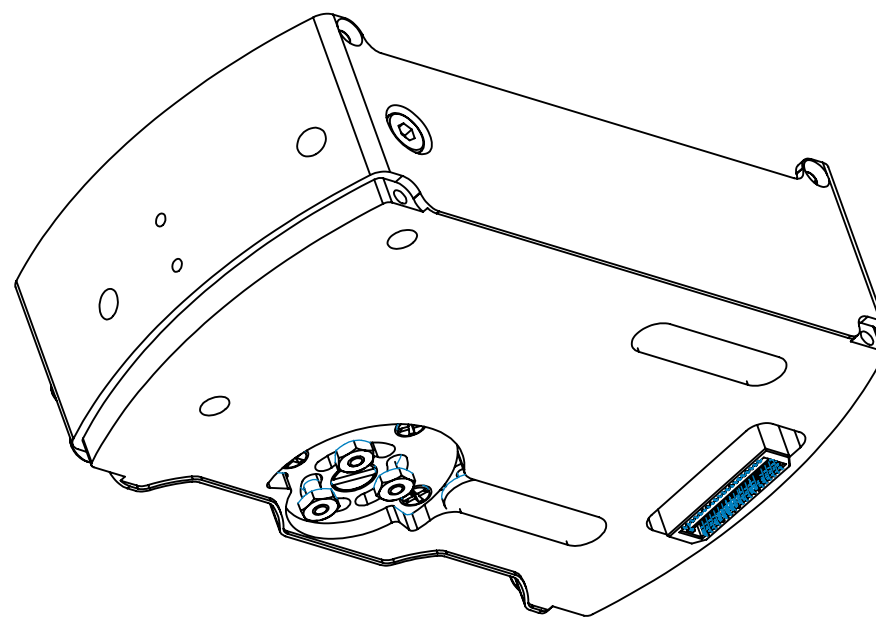
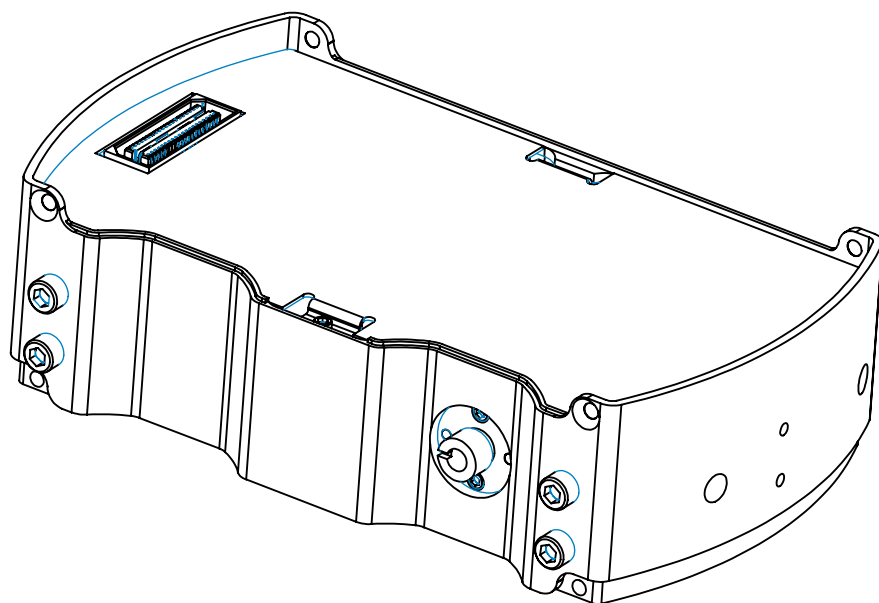
THIS DOCUMENT AND ALL CAD PART AND ASSEMBLY MODELS ASSOCIATED WITH THIS ENGINEERING DRAWING


ANY REPRODUCTION IN PART OR AS A WHOLE WITHOUT THE WRITTEN PERMISSION OF OCEAN OPTICS, INC. IS STRICTLY PROHIBITED.

REVISIONS				
REV.	DESCRIPTION	ECN	DATE	BY
A	INITIAL RELEASE	ECN090901-JA8	9/1/2009	DAC

ENGINEERING NOTES:

1. REFERENCE OCEAN OPTICS ENGINEERING DRAWING 013-70001-500 FOR GUIDELINES FOR CUSTOMER ASSEMBLY OF NEW ADDITIONAL JAZ SYSTEM MODULES IN A JAZ ASSEMBLY STACK.
2. ELECTROSTATIC DISCHARGE (ESD) PROTECTION MUST ALWAYS BE USED WHEN HANDLING JAZ SYSTEM MODULES.



 830 Douglas Ave. Dunedin, FL 34698 727 733 2447 www.oceanoptics.com	- DIMENSIONS IN INCHES - UNLESS OTHERWISE NOTED	DATE	NAME	TITLE: JAZ-5--SPECTROMETER CUSTOMER ENGINEERING REFERENCE MODEL PART NO. JAZ-5--SPECTROMETER	
	.X ±.030	MODELED	2009-09-01		JEA
	.XX ±.015	DRAWN	2009-09-01		JEA
	.XXX ±.005	ENG APPR.	2009-09-01		DAC
.XXXX ±.0005	Angular ±0.5°	MFG APPR.	N / A	N / A	
THIRD ANGLE PROJECTION	INTERPRET GEOMETRIC TOLERANCING PER: ANSI Y14.5	Q.A.	N / A	N / A	
PROPRIETARY AND CONFIDENTIAL THE INFORMATION CONTAINED IN THIS DRAWING IS THE SOLE PROPERTY OF OCEAN OPTICS, INC. ANY REPRODUCTION IN PART OR AS A WHOLE WITHOUT THE WRITTEN PERMISSION OF OCEAN OPTICS, INC. IS STRICTLY PROHIBITED. DO NOT SCALE DRAWING	MATERIAL	COMMENTS:		SIZE B DWG. NO. JAZ-5--SPECTROMETER REV A	
FINISH	N / A	LIFECYCLE STATUS: RELEASED		SCALE: N/A WT. (lbs) 0.555 SHEET 1 OF 2	

THIS DOCUMENT AND ALL CAD PART AND ASSEMBLY MODELS ASSOCIATED WITH THIS ENGINEERING DRAWING ARE THE EXCLUSIVE INTELLECTUAL PROPERTY OF THE OCEAN OPTICS CORPORATION.

ANY REPRODUCTION IN PART OR AS A WHOLE WITHOUT THE WRITTEN PERMISSION OF OCEAN OPTICS, INC. IS STRICTLY PROHIBITED.

D

C

B

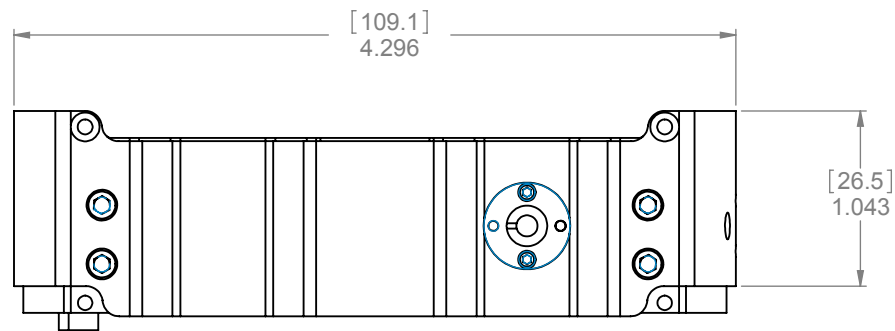
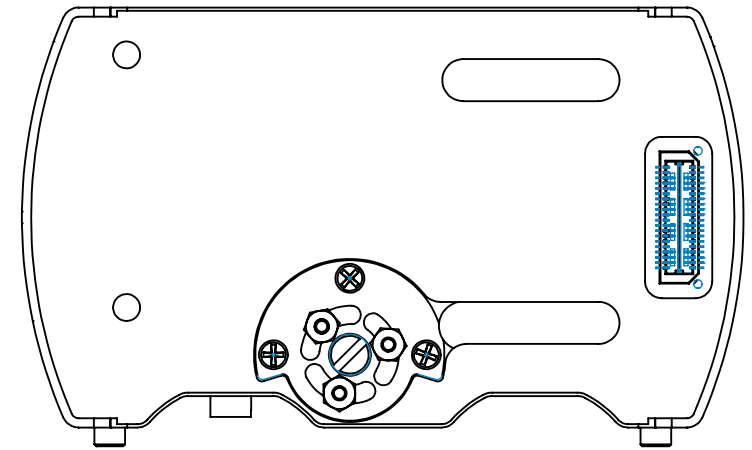
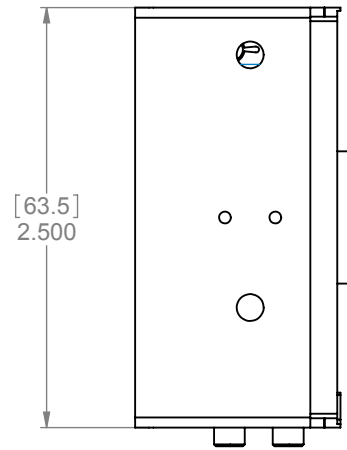
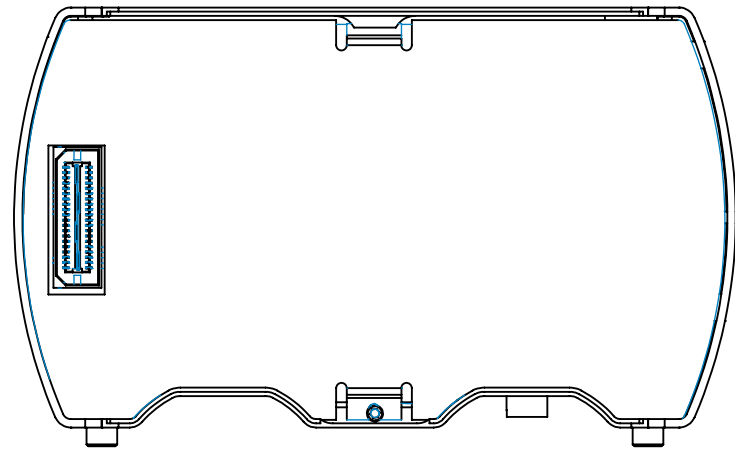
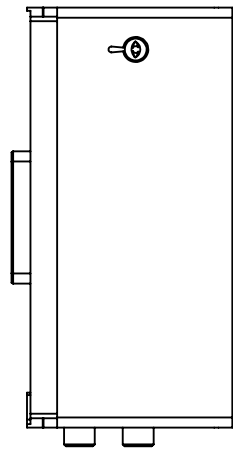
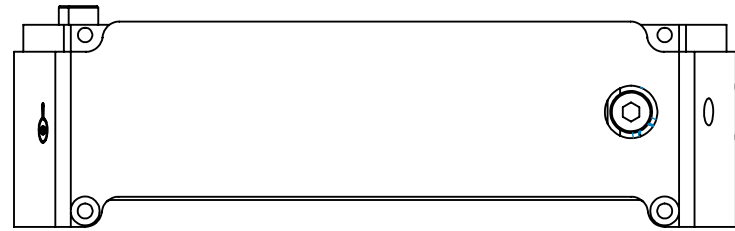
A

D

C

B

A



OCEAN OPTICS, INC.
 830 DOUGLAS AVENUE
 DUNEDIN, FL 34698 (727) 733-2447 WWW.OCEANOPTICS.COM

SIZE B	LIFE CYCLE STATUS RELEASED	DWG NO. JAZ-5--SPECTROMETER	REV A
SCALE N/A	SHEET 2 OF 2		

8

7

6

5

4

3

2

1