

8

7

6

5

4

3

2

1

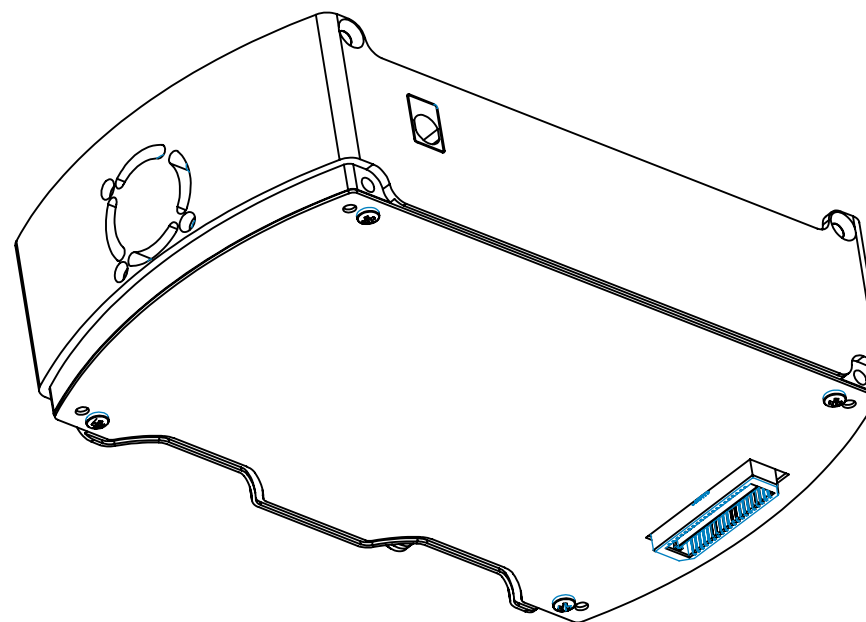
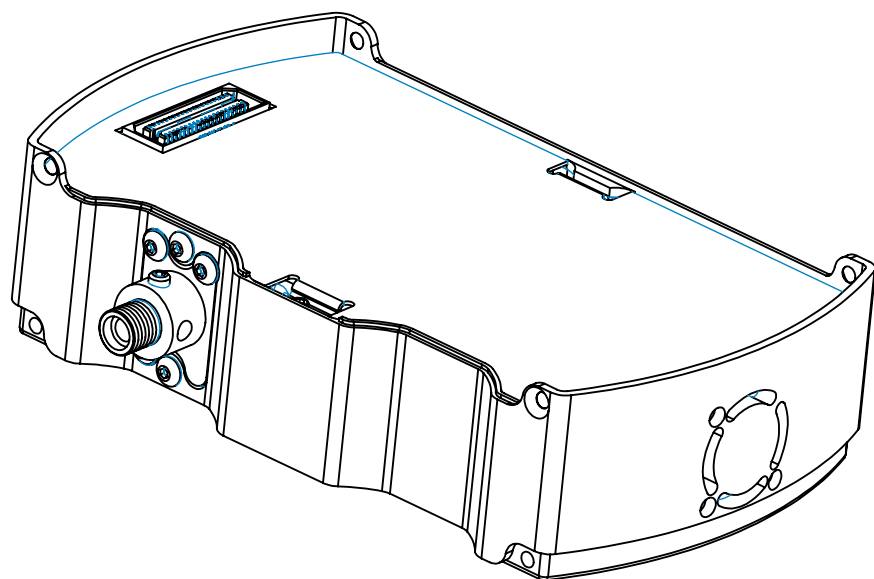
THIS DOCUMENT AND ALL CAD PART AND ASSEMBLY MODELS ASSOCIATED WITH THIS ENGINEERING DRAWING



ANY REPRODUCTION IN PART OR AS A WHOLE WITHOUT THE WRITTEN PERMISSION OF OCEAN OPTICS, INC. IS STRICTLY PROHIBITED.

ENGINEERING NOTES:

- 1. REFERENCE OCEAN OPTICS ENGINEERING DRAWING 013-70001-500 FOR GUIDELINES FOR CUSTOMER ASSEMBLY OF NEW ADDITIONAL JAZ SYSTEM MODULES IN A JAZ ASSEMBLY STACK.
- 2. ELECTROSTATIC DISCHARGE (ESD) PROTECTION MUST ALWAYS BE USED WHEN HANDLING JAZ SYSTEM MODULES.

REVISIONS				
REV.	DESCRIPTION	ECN	DATE	BY
D	INITIAL RELEASE	ECN090901-JA7	9/1/2009	DAC



 <p>830 Douglas Ave. Dunedin, FL 34698</p> <p>727 733 2447 www.oceanoptics.com</p> <p>PROPRIETARY AND CONFIDENTIAL</p> <p>THE INFORMATION CONTAINED IN THIS DRAWING IS THE SOLE PROPERTY OF OCEAN OPTICS, INC.</p> <p>ANY REPRODUCTION IN PART OR AS A WHOLE WITHOUT THE WRITTEN PERMISSION OF OCEAN OPTICS, INC. IS STRICTLY PROHIBITED.</p> <p>DO NOT SCALE DRAWING</p>	<p>- DIMENSIONS IN INCHES - UNLESS OTHERWISE NOTED</p> <p>.X ±.030</p> <p>.XX ±.015</p> <p>.XXX ±.005</p> <p>.XXXX ±.0005</p> <p>Angular ±0.5°</p>	<table border="1"> <tr> <th></th> <th>DATE</th> <th>NAME</th> </tr> <tr> <td>MODELED</td> <td>2009-09-01</td> <td>JEA</td> </tr> <tr> <td>DRAWN</td> <td>2009-09-01</td> <td>JEA</td> </tr> <tr> <td>ENG APPR.</td> <td>2009-09-01</td> <td>DAC</td> </tr> <tr> <td>MFG APPR.</td> <td>N / A</td> <td>N / A</td> </tr> <tr> <td>Q.A.</td> <td>N / A</td> <td>N / A</td> </tr> </table>		DATE	NAME	MODELED	2009-09-01	JEA	DRAWN	2009-09-01	JEA	ENG APPR.	2009-09-01	DAC	MFG APPR.	N / A	N / A	Q.A.	N / A	N / A	<p>TITLE:</p> <p>JAZ-4--LIGHT-SOURCE--VIS-NIR</p> <p>CUSTOMER ENGINEERING REFERENCE MODEL</p>
		DATE	NAME																		
	MODELED	2009-09-01	JEA																		
	DRAWN	2009-09-01	JEA																		
ENG APPR.	2009-09-01	DAC																			
MFG APPR.	N / A	N / A																			
Q.A.	N / A	N / A																			
<p>THIRD ANGLE PROJECTION</p> 	<p>INTERPRET GEOMETRIC TOLERANCING PER: ANSI Y14.5</p>	<p>COMMENTS:</p>	<p>PART NO. JAZ-4--LIGHT-SOURCE--VIS-NIR</p>																		
<p>MATERIAL</p> <p>N / A</p>	<p>FINISH</p> <p>N / A</p>	<p>LIFECYCLE STATUS: RELEASED</p>	<table border="1"> <tr> <th>SIZE</th> <th>DWG. NO.</th> <th>REV</th> </tr> <tr> <td>B</td> <td>JAZ-4--LIGHT-SOURCE--VIS-NIR</td> <td>D</td> </tr> </table>	SIZE	DWG. NO.	REV	B	JAZ-4--LIGHT-SOURCE--VIS-NIR	D												
SIZE	DWG. NO.	REV																			
B	JAZ-4--LIGHT-SOURCE--VIS-NIR	D																			
<p>SCALE: N/A WT. (lbs) 0.300 SHEET 1 OF 2</p>																					

8

7

6

5

4

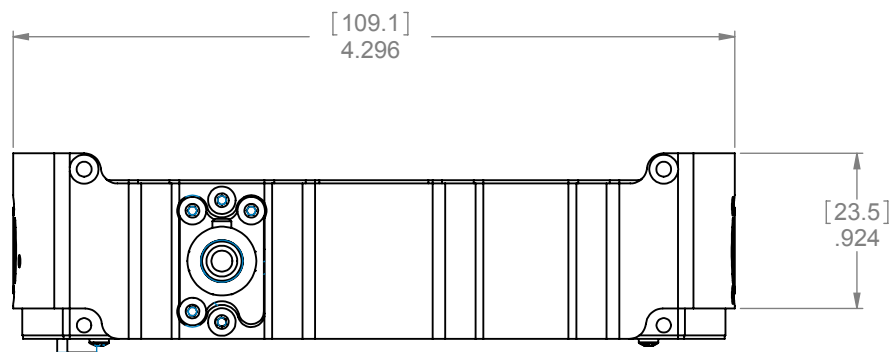
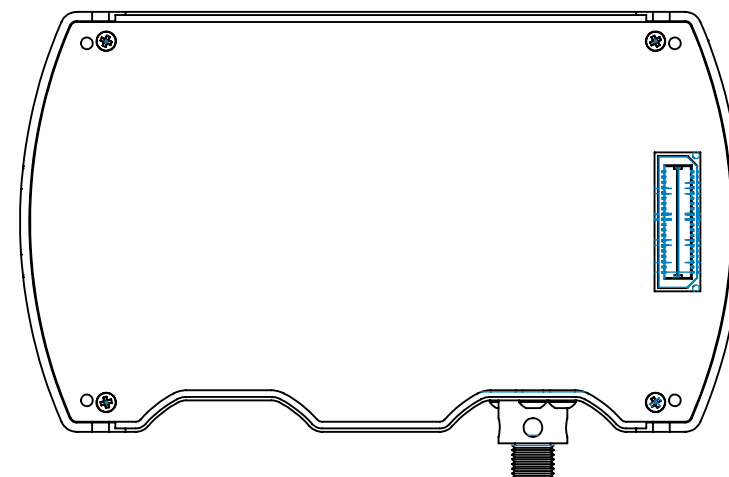
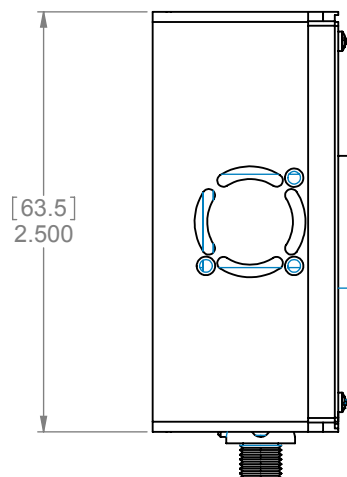
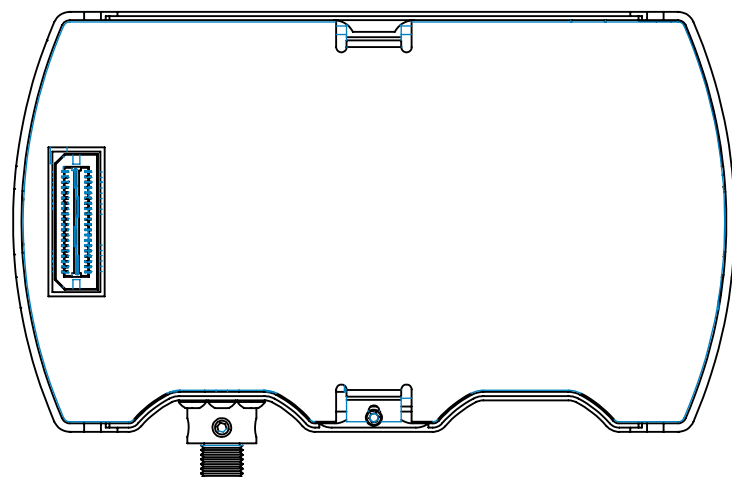
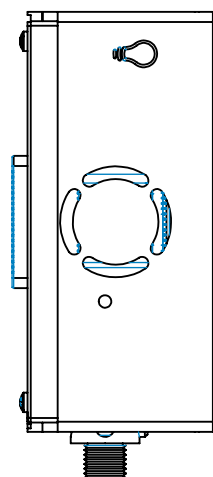
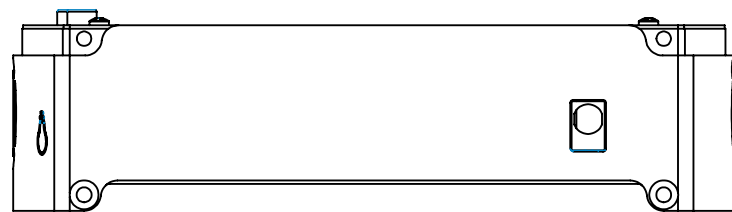
3

2

1

THIS DOCUMENT AND ALL CAD PART AND ASSEMBLY MODELS ASSOCIATED WITH THIS ENGINEERING DRAWING

ANY REPRODUCTION IN PART OR AS A WHOLE WITHOUT THE WRITTEN PERMISSION OF OCEAN OPTICS, INC. IS STRICTLY PROHIBITED.



OCEAN OPTICS, INC.
 830 DOUGLAS AVENUE
 DUNEDIN, FL 34698 (727) 733-2447 WWW.OCEANOPTICS.COM

SIZE B	LIFE CYCLE STATUS RELEASED	DWG NO. JAZ-4--LIGHT-SOURCE--VIS-NIR	REV D
SCALE N/A	SHEET 2 OF 2		