

8

7

6

5

4

3

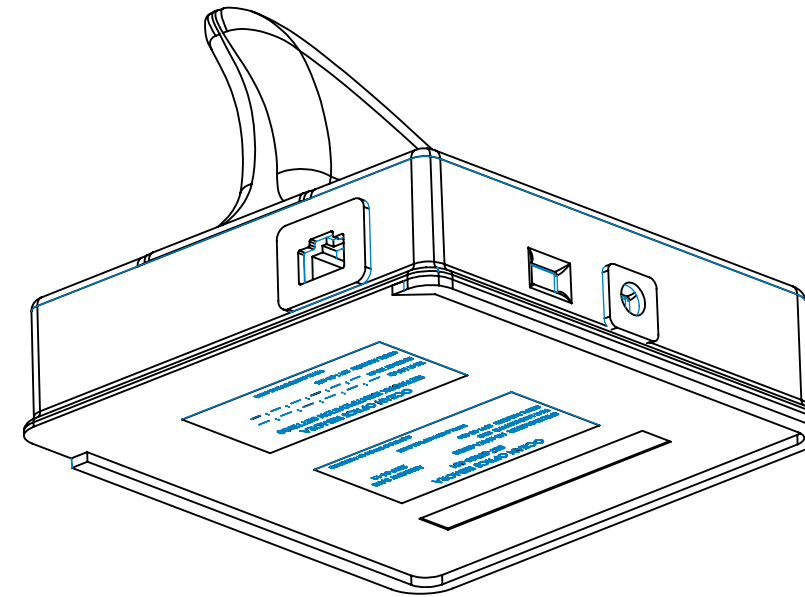
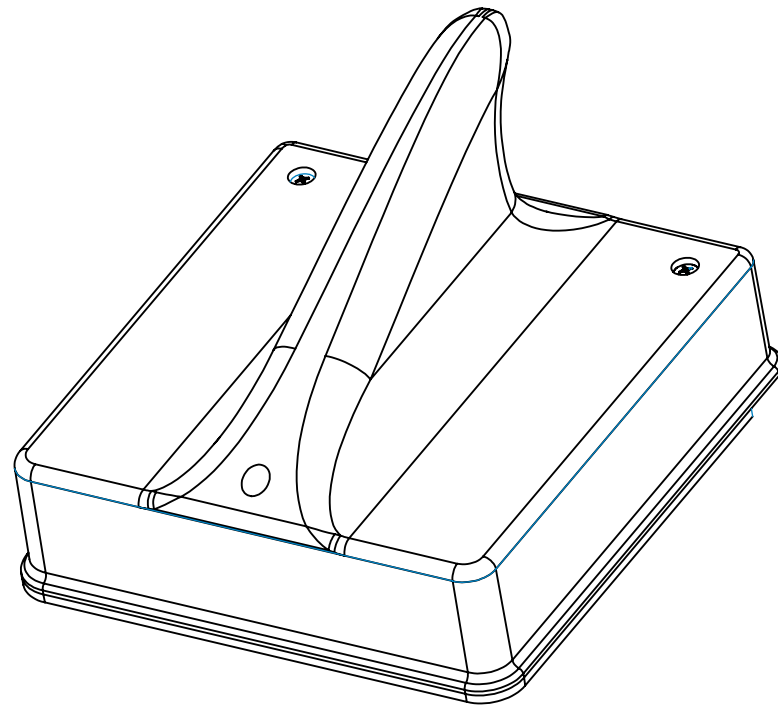
2

1

THIS DOCUMENT AND ALL CAD PART AND ASSEMBLY MODELS ASSOCIATED WITH THIS ENGINEERING DRAWING ARE THE EXCLUSIVE INTELLECTUAL PROPERTY OF THE OCEAN OPTICS CORPORATION.

ANY REPRODUCTION IN PART OR AS A WHOLE WITHOUT THE WRITTEN PERMISSION OF OCEAN OPTICS, INC. IS STRICTLY PROHIBITED.

REVISIONS				
REV.	DESCRIPTION	ECN	DATE	BY
B	INITIAL RELEASE	ECN090902-JA1	9/3/2009	DAC



D

D

C

C

B

B

A

A

8

7

6


5

4

3

2

1

 830 Douglas Ave. Dunedin, FL 34698 727 733 2447 www.oceanoptics.com PROPRIETARY AND CONFIDENTIAL THE INFORMATION CONTAINED IN THIS DRAWING IS THE SOLE PROPERTY OF OCEAN OPTICS, INC. ANY REPRODUCTION IN PART OR AS A WHOLE WITHOUT THE WRITTEN PERMISSION OF OCEAN OPTICS, INC. IS STRICTLY PROHIBITED. DO NOT SCALE DRAWING	- DIMENSIONS IN INCHES - UNLESS OTHERWISE NOTED .X ±.030 .XX ±.015 .XXX ±.005 .XXXX ±.0005 Angular ±0.5°	DATE NAME	TITLE: REMORA--HR--MAYA--AMERICAS CUSTOMER ENGINEERING REFERENCE MODEL PART NO. REMORA--HR--MAYA--AMERICAS SIZE B DWG. NO. REMORA--HR--MAYA--AMERICAS REV B SCALE: N/A WT. (lbs) 0.399 SHEET 1 OF 2
	THIRD ANGLE PROJECTION	MODELED 2009-09-02 DAC DRAWN 2009-09-02 JEA ENG APPR. 2009-09-02 DAC MFG APPR. N/A N/A Q.A. N/A N/A	
	INTERPRET GEOMETRIC TOLERANCING PER: ANSI Y14.5	COMMENTS:	
	MATERIAL N/A FINISH N/A	LIFECYCLE STATUS: RELEASED	

8

7

6

5

4

3

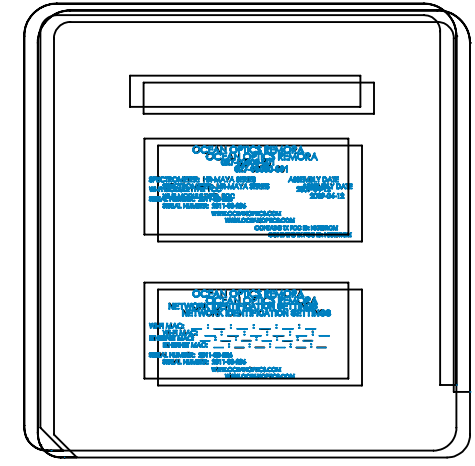
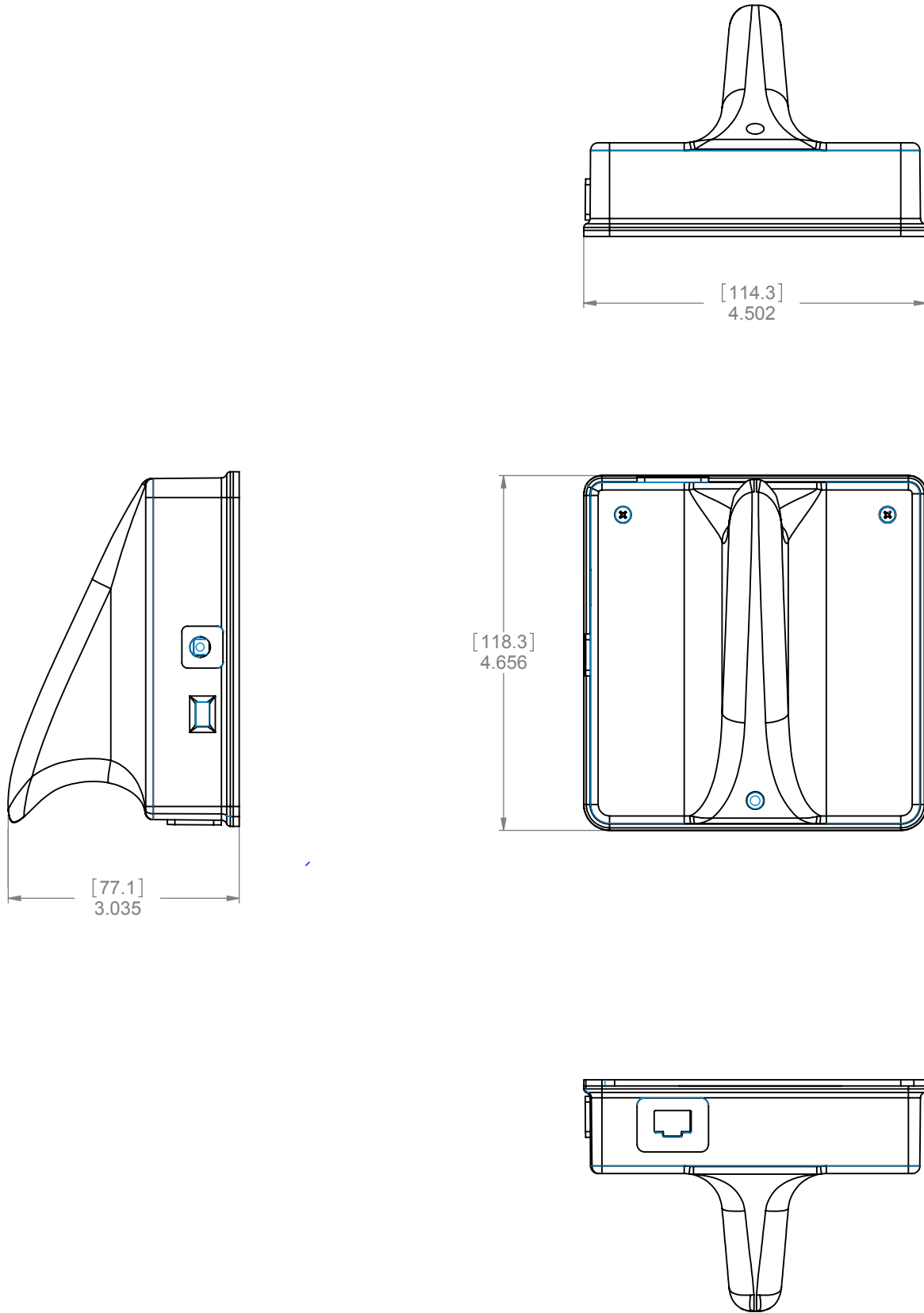
2

1

3

THIS DOCUMENT AND ALL CAD PART AND ASSEMBLY MODELS ASSOCIATED WITH THIS ENGINEERING DRAWING ARE THE EXCLUSIVE INTELLECTUAL PROPERTY OF THE OCEAN OPTICS CORPORATION.

ANY REPRODUCTION IN PART OR AS A WHOLE WITHOUT THE WRITTEN PERMISSION OF OCEAN OPTICS, INC. IS STRICTLY PROHIBITED.



OCEAN OPTICS, INC.
 830 DOUGLAS AVENUE
 DUNEDIN, FL 34698 (727) 733-2447 WWW.OCEANOPTICS.COM

SIZE B	LIFE CYCLE STATUS RELEASED	DWG NO. REMORA--HR-MAYA--AMERICAS	REV B
SCALE N/A	SHEET 2 OF 2		