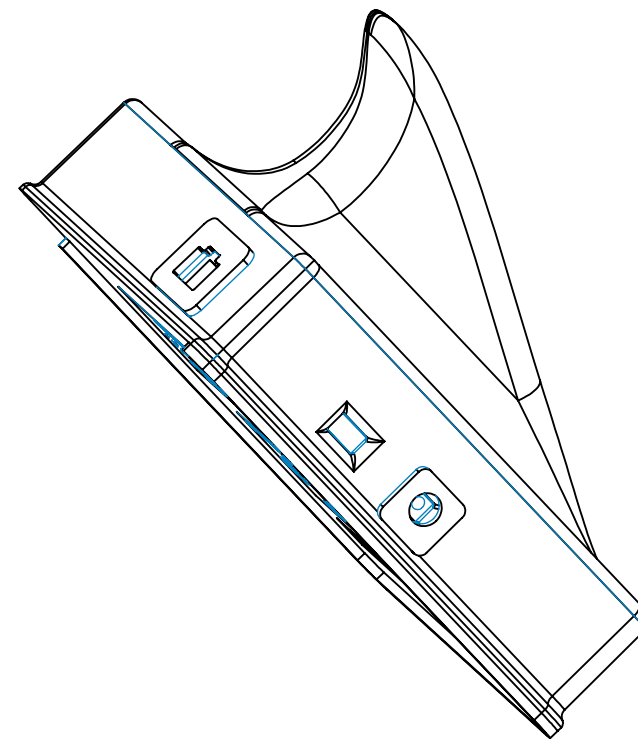
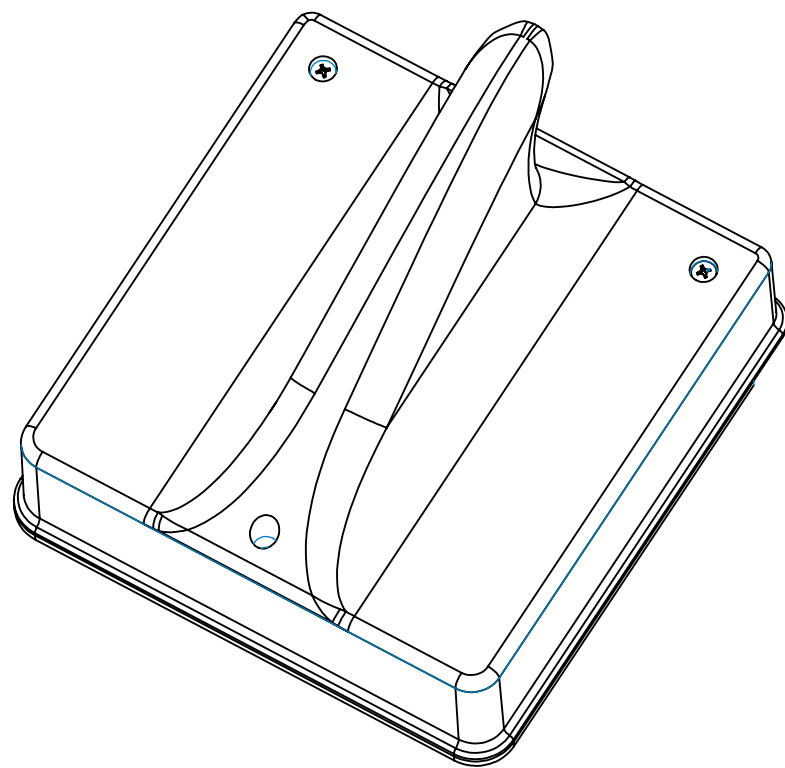


8 7 6 5 4 3 2 1

THIS DOCUMENT AND ALL CAD PART AND ASSEMBLY MODELS ASSOCIATED WITH THIS ENGINEERING DRAWING ARE THE EXCLUSIVE INTELLECTUAL PROPERTY OF THE OCEAN OPTICS CORPORATION.



ANY REPRODUCTION IN PART OR AS A WHOLE WITHOUT THE WRITTEN PERMISSION OF OCEAN OPTICS, INC. IS STRICTLY PROHIBITED.

REVISIONS				
REV.	DESCRIPTION	ECN	DATE	BY
A	INITIAL RELEASE	ECN090902-JA3	9/3/2009	DAC



D
C
B
A

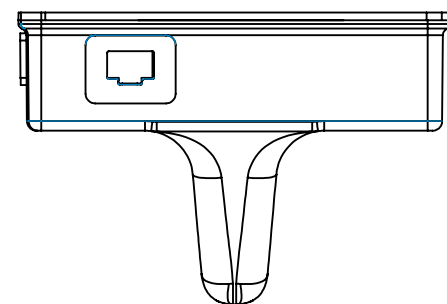
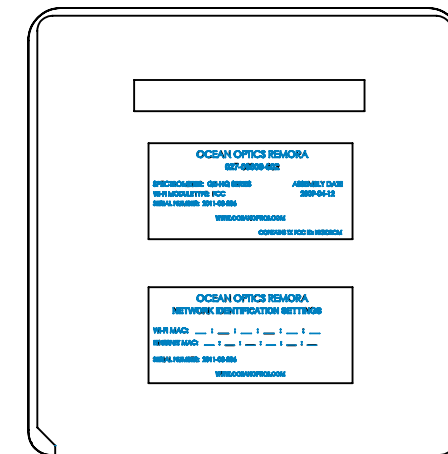
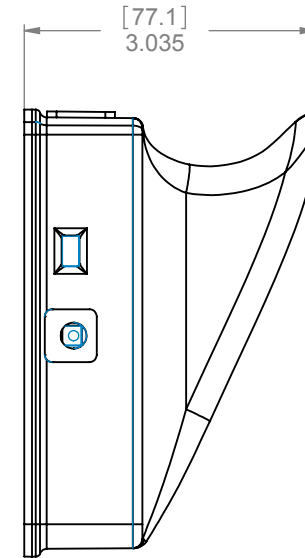
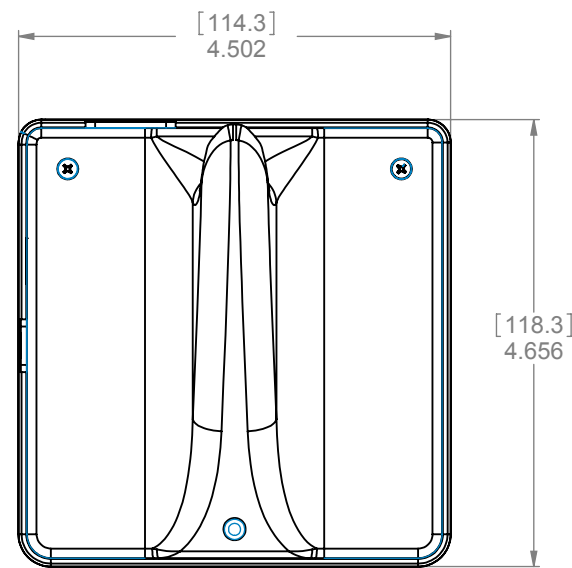
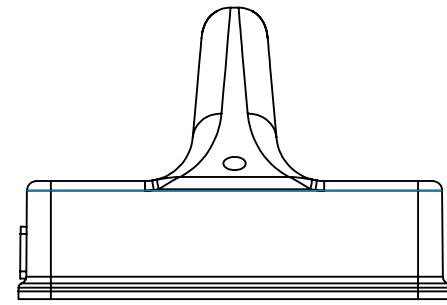
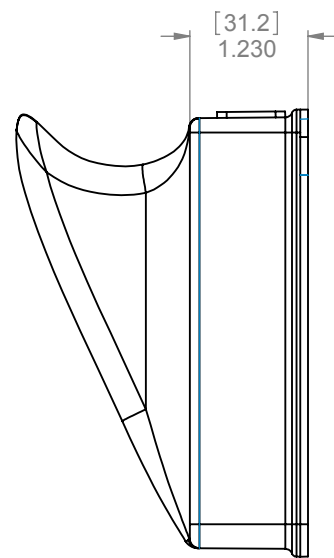
D
C
B
A

 830 Douglas Ave. Dunedin, FL 34698 727 733 2447 www.oceanoptics.com	- DIMENSIONS IN INCHES - UNLESS OTHERWISE NOTED .X ±.030 .XX ±.015 .XXX ±.005 .XXXX ±.0005 Angular ±0.5°		DATE	NAME	TITLE: REMORA--QE--NQ--AMERICAS CUSTOMER ENGINEERING REFERENCE MODEL PART NO. REMORA--QE-NQ--AMERICAS	
	THIRD ANGLE PROJECTION		MODELED	2009-09-02		DAC
	INTERPRET GEOMETRIC TOLERANCING PER: ANSI Y14.5		DRAWN	2009-09-02		JEA
	MATERIAL	N / A	ENG APPR.	2009-09-02		DAC
FINISH	N / A		MFG APPR.	N / A	N / A	
PROPRIETARY AND CONFIDENTIAL THE INFORMATION CONTAINED IN THIS DRAWING IS THE SOLE PROPERTY OF OCEAN OPTICS, INC. ANY REPRODUCTION IN PART OR AS A WHOLE WITHOUT THE WRITTEN PERMISSION OF OCEAN OPTICS, INC. IS STRICTLY PROHIBITED. DO NOT SCALE DRAWING		COMMENTS: LIFECYCLE STATUS: RELEASED		Q.A. N / A N / A	SIZE B DWG. NO. REMORA--QE-NQ--AMERICAS REV A	
OCEAN OPTICS ENGINEERING DRAWING TEMPLATE: 000-00000-000--MECHANICAL--USC REV-A			SCALE: N/A WT. (lbs) 0.397 SHEET 1 OF 2			

8 7 6 5 4 3 2 1

THIS DOCUMENT AND ALL CAD PART AND ASSEMBLY MODELS ASSOCIATED WITH THIS ENGINEERING DRAWING ARE THE EXCLUSIVE INTELLECTUAL PROPERTY OF THE OCEAN OPTICS CORPORATION.

ANY REPRODUCTION IN PART OR AS A WHOLE WITHOUT THE WRITTEN PERMISSION OF OCEAN OPTICS, INC. IS STRICTLY PROHIBITED.



OCEAN OPTICS, INC.
 830 DOUGLAS AVENUE
 DUNEDIN, FL 34698 (727) 733-2447 WWW.OCEANOPTICS.COM

SIZE B	LIFE CYCLE STATUS RELEASED	DWG NO. REMORA--QE-NQ--AMERICAS	REV A
SCALE N/A	SHEET 2 OF 2		